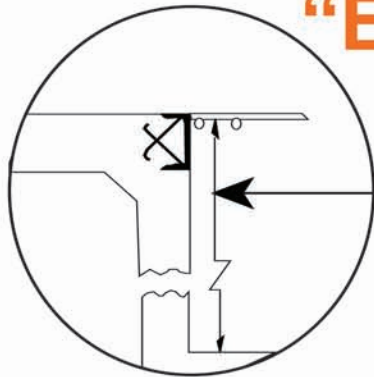
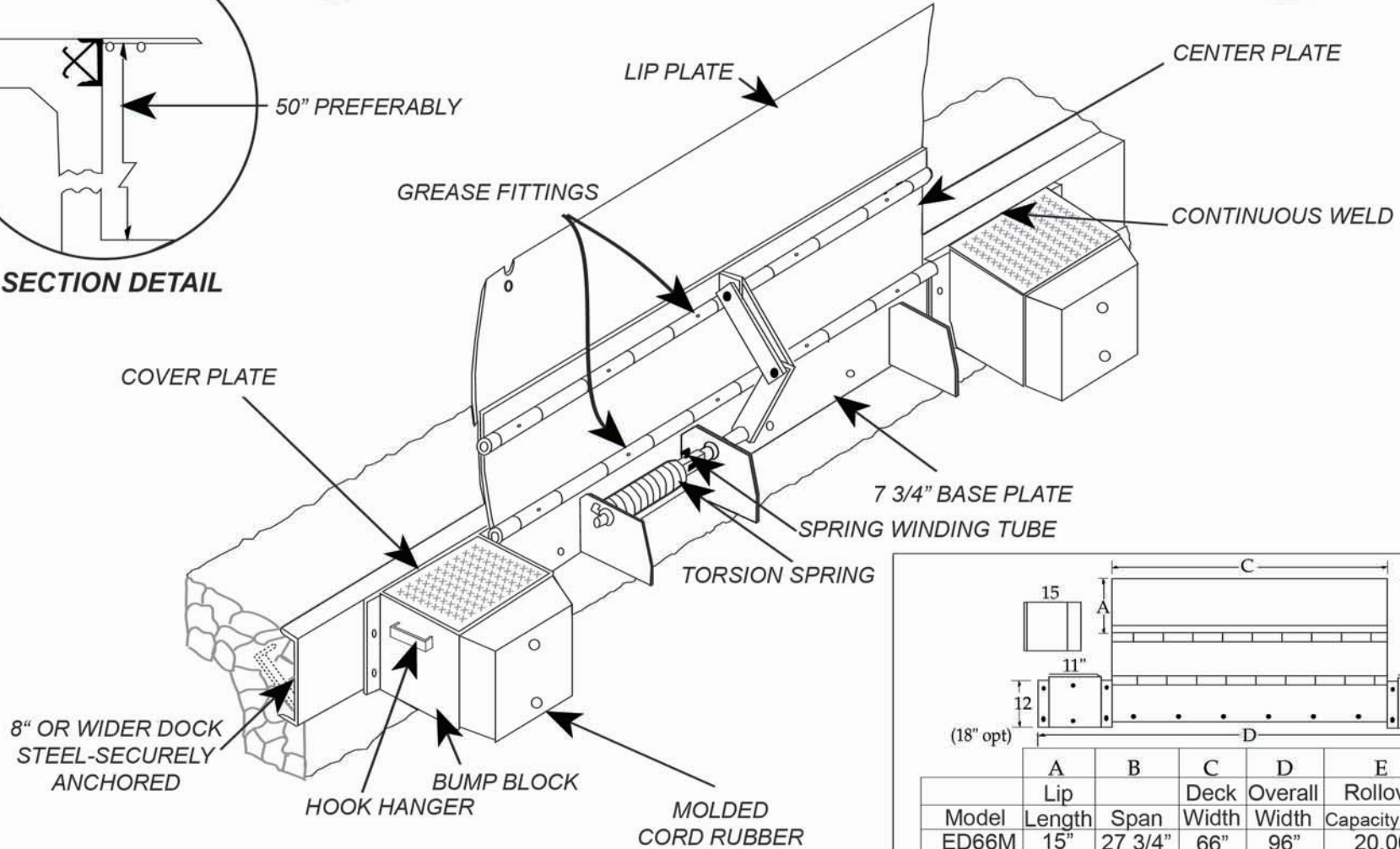


# "Edge of Dock" Submittal Drawing



SECTION DETAIL



	A	B	C	D	E	F
	Lip	Span	Deck Width	Overall Width	Rollover Capacity Lbs.	Plate Thickness
Model ED66M	15"	27 3/4"	66"	96"	20,000	3/8"
Model ED66MH	15"	27 3/4"	66"	96"	25,000	7/16"
Model ED66M-17	17"	29 3/4"	66"	96"	20,000	3/8"
Model ED72M	15"	27 3/4"	72"	102"	20,000	3/8"
Model ED78M	15"	27 3/4"	78"	108"	20,000	3/8"
Model ED84M	15"	27 3/4"	84"	114"	20,000	3/8"

**SPECIFY JOB REQUIREMENTS FROM**

--	--	--	--	--	--	--

**NOTES:** Deck & Lip - 55,000 lb. min. yield steel.  
**30,000 lb Capacity** in stored position. Units include C1045 cold rolled 11/16" rod and cold drawn seamless tubing (1-1/4" OD, 5/16" wall).



PO Box 338 • Spring Hill, Tennessee 37174  
 931.486.2296 • 800.251.3382 • Fax: 931.486.0316  
[www.pioneerleveler.com](http://www.pioneerleveler.com)

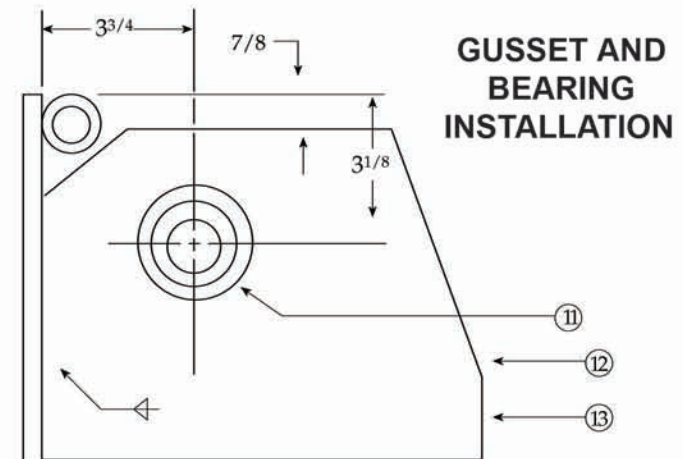
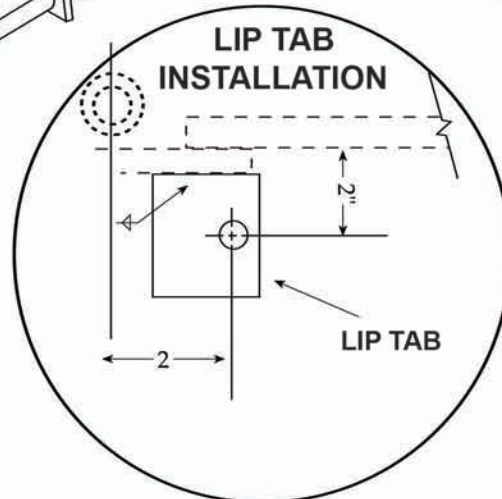
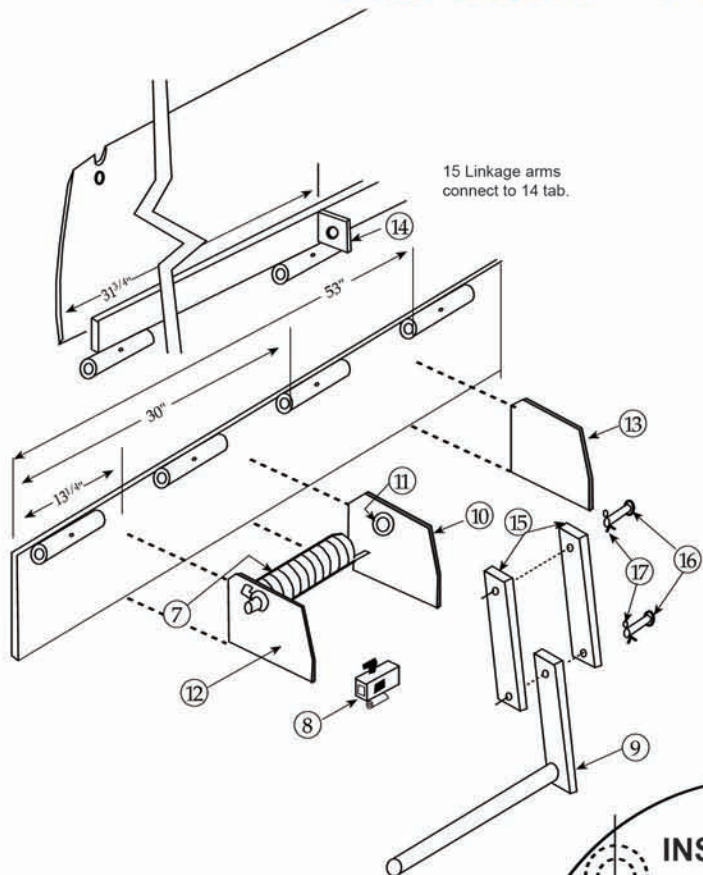
**JOB**

# "ED66M" Adaptor Kit Assembly

## ADAPTOR KIT ASSEMBLY ED66M

ED66M Kit, Part #192, consists of the following:

ITEM	DESCRIPTION
7	TorsionSpring
8	Spring winding tube assembly
9	Torsion arm & linkage assembly
10	Gusset with bearing
11	Bearing, torsion arm
12	Gusset with retainer
13	Gussett
14	Lip linkage tab
15	Lip linkage arms (2 ea. req.)
16	Linkage pins (2 ea. req.)
17	Cotter Keys (2 ea. req.)



PO Box 338 • Spring Hill, Tennessee 37174  
931.486.2296 • 800.251.3382 • Fax: 931.486.0316  
www.pioneerleveler.com