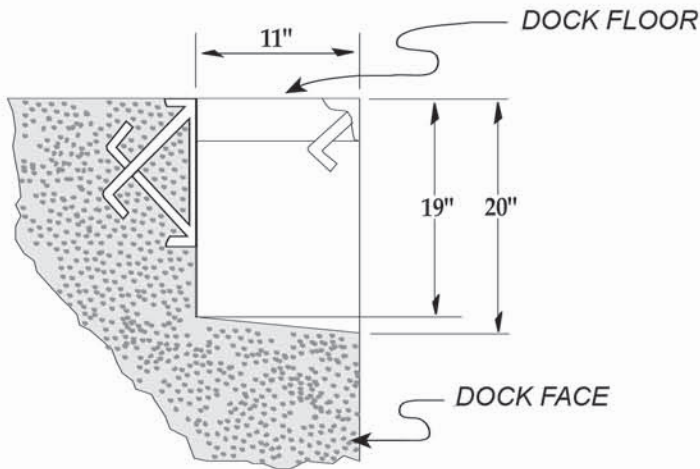
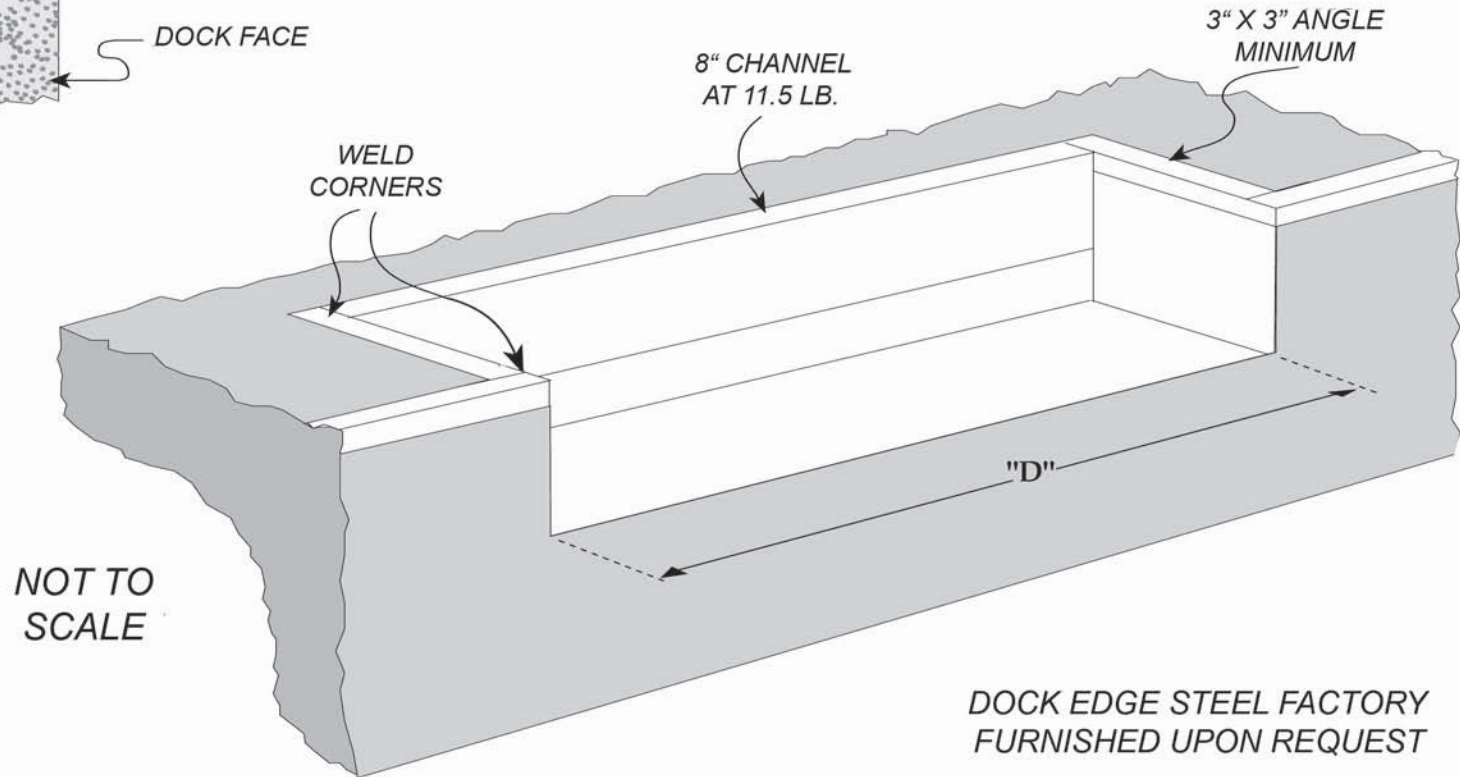


# Recessed BarLift Submittal Drawing



<b>MODEL BL66R: D = 70"</b>
<b>MODEL BL72R: D = 76"</b>
<b>MODEL BL78R: D = 82"</b>
<b>MODEL BL84R: D = 88"</b>
<i>UNITS FURNISHED WITH 2 EA. LAMINATED BUMPERS</i>



PO Box 338 • Spring Hill, Tennessee 37174  
 931.486.2296 • 800.251.3382 • Fax: 931.486.0316  
[www.pioneerleveler.com](http://www.pioneerleveler.com)

**JOB**