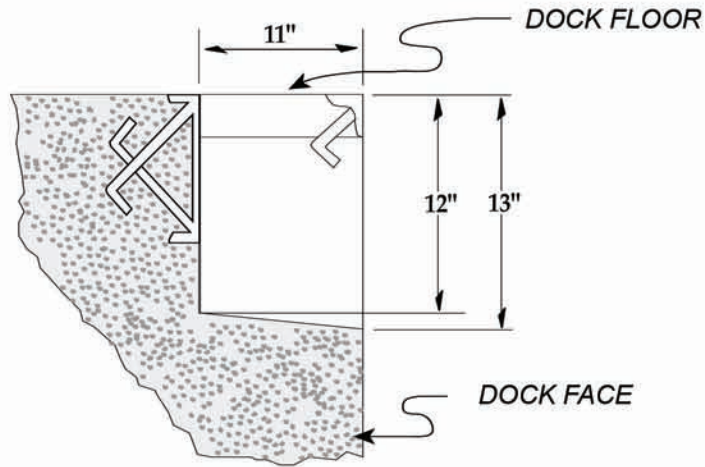
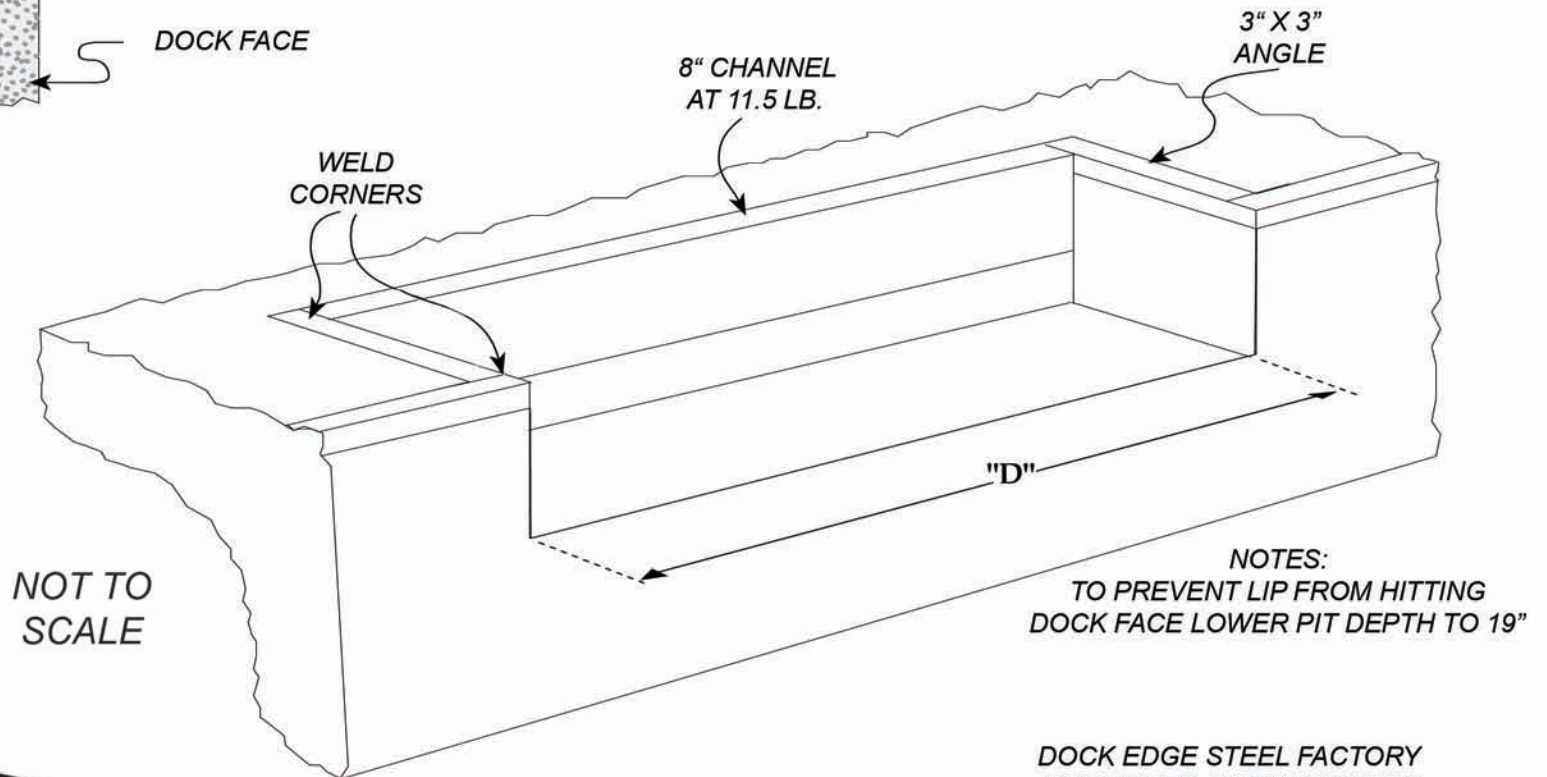


Recessed E.O.D. Submittal Drawing



MODEL ED66MR: D = 70"
MODEL ED72MR: D = 76"
MODEL ED78MR: D = 82"
MODEL ED84MR: D = 88"
<i>UNITS FURNISHED WITH 2 EA. LAMINATED BUMBERS</i>



NOT TO SCALE

NOTES:
TO PREVENT LIP FROM HITTING DOCK FACE LOWER PIT DEPTH TO 19"

DOCK EDGE STEEL FACTORY
FURNISHED UPON REQUEST



PO Box 338 • Spring Hill, Tennessee 37174
 931.486.2296 • 800.251.3382 • Fax: 931.486.0316
www.pioneerleveler.com

JOB