

“HDH” Series Hydraulic Leveler Submittal

“HDH” SERIES HYDRAULIC DOCK LEVELER MODEL SPECIFICATIONS

MODEL	LIP*	DECK*	NOMINAL LENGTH	WIDTH	HINGE CF1045	SEAMLESS HINGE TUBE	OPERATING RANGE
HDH6650 / HDH7650	3/4" x 16"	1/4"	6'	72"/83"	1 1/8" diameter	2 3/4" dia. O.D.	+12"-12"
HDH6850 / HDH7850	3/4" x 16"	1/4"	8'	72"/83"	1 1/8" diameter	2 3/4" dia. O.D.	+12"-12"
HDH61050 / HDH71050	3/4" x 16"	1/4"	10'	72"/83"	1 1/8" diameter	2 3/4" dia. O.D.	+16"-16"
HDH6660 / HDH7660	3/4" x 16"	3/8"	6'	72"/83"	1 1/8" diameter	2 3/4" dia. O.D.	+12"-12"
HDH6860 / HDH7860	3/4" x 16"	3/8"	8'	72"/83"	1 1/8" diameter	2 3/4" dia. O.D.	+12"-12"
HDH61060 / HDH71060	3/4" x 16"	3/8"	10'	72"/83"	1 1/8" diameter	2 3/4" dia. O.D.	+16"-16"
HDH6670 / HDH7670	7/8" x 16"	3/8"	6'	72"/83"	1 3/8" diameter	3" dia. O.D.	+12"-12"
HDH6870 / HDH7870	7/8" x 16"	3/8"	8'	72"/83"	1 3/8" diameter	3" dia. O.D.	+12"-12"
HDH61070 / HDH71070	7/8" x 16"	3/8"	10'	72"/83"	1 3/8" diameter	3" dia. O.D.	+16"-16"
HDH6680 / HDH7680	1" x 16"	3/8"	6'	72"/83"	1 3/8" diameter	3" dia. O.D.	+12"-12"
HDH6880 / HDH7880	1" x 16"	3/8"	8'	72"/83"	1 3/8" diameter	3" dia. O.D.	+12"-12"
HDH61080 / HDH71080	1" x 16"	3/8"	10'	72"/83"	1 3/8" diameter	3" dia. O.D.	+16"-16"

INSERT SPECIFIC JOB REQUIREMENTS FROM CHART

--	--	--	--	--	--	--	--

STANDARD CAPACITY

A.N.S.I. CAPACITY

--	--

*Lip and deck, 55,000 lb. minimum yield steel; 5 year structural warranty.

**Models with deck width of 78" (6 1/2') are available upon request.

STANDARD FEATURES

- (2) Laminated Bumpers
- Lip 16"
- Grease Fittings
- Maintenance Strut
- Lip Keepers/Night Locks
- Fully Hydraulic Actuation
- Automatic Recycle
- Below Dock Control
- Automatic Cant Feature
- Deck Support, Structural C Channel
- In-line Safety Stop (prevents free-fall)
- Yellow & Black Diagonal Safety Stripe on Toe Guards
- Motor--1 hp. 1 ph. 60Hz
 - 115 Volt
- Full Range Toe Guards (Powder Coated Yellow)

OPTIONAL FEATURES

- Lip 18"
- Lip 20"
- Weather Seals
- Foam Insulation
- Abrasive Deck
- Emergency Stop
- Three Wheel Fork Lift
- 1 Phase Motor
- 208 Volt
- 230 Volt
- 3 Phase Motor
- 208 Volt
- 230 Volt
- 460 Volt
- Hot Dip Galvanize
- Laminated Bumper
- Size
- Four Sided Pans
- Three Sided (E-Z) Pans
- Independent Lip Control

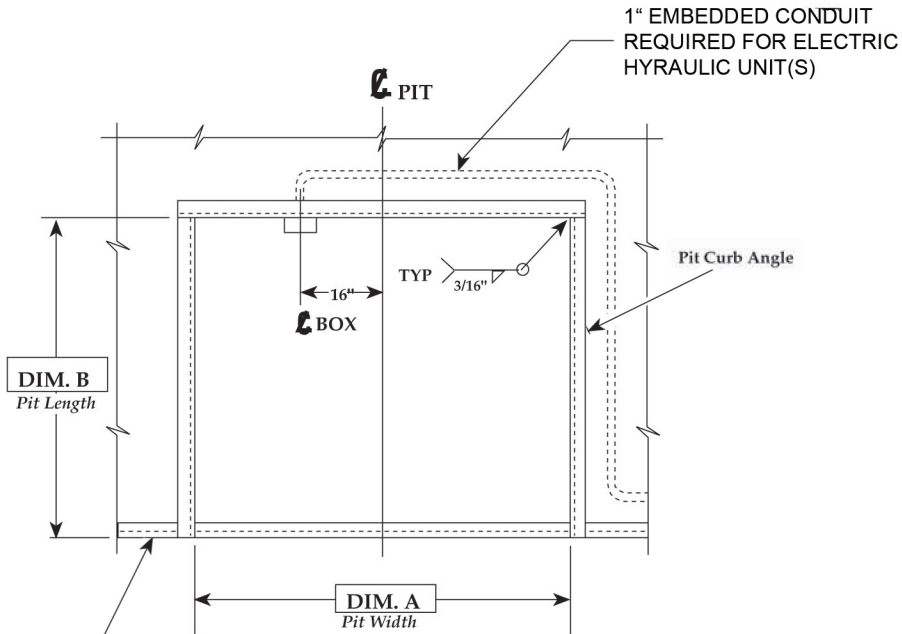


PO Box 338 • Spring Hill, Tennessee 37174
 931.486.2296 • 800.251.3382 • Fax: 931.486.0316
 www.pioneerleveler.com

JOB

Pioneer reserves the right to make product improvement at any time without prior notice.

"HDH" Series Hydraulic Leveler Pit Detail



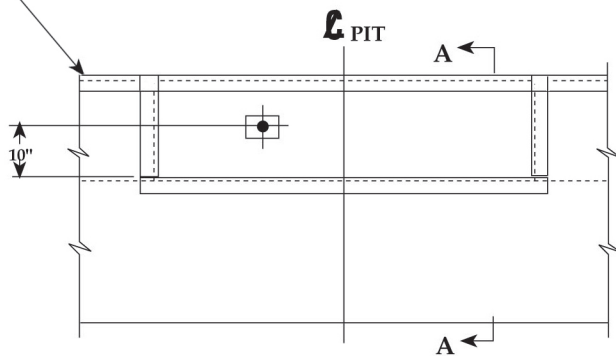
VARIABLE DIMENSIONS				
MODEL	"A"	"B"	"C"	"D"
6'W x 6'L	74"	63"	19 1/2"	20"
6'W x 8'L	74"	87"	19 1/2"	20"
6'-6"W x 6'L	80"	63"	19 1/2"	20"
6'-6"W x 8'L	80"	87"	19 1/2"	20"
7'W x 6'L	85"	63"	19 1/2"	20"
7'W x 8'L	85"	87"	19 1/2"	20"
6'W x 10'L	74"	111"	23 1/2"	24"
6'-6"W x 10'L	80"	111"	23 1/2"	24"
7'W x 10'L	85"	111"	23 1/2"	24"

INSERT SPECIFIC JOB DIMENSIONS FROM CHART

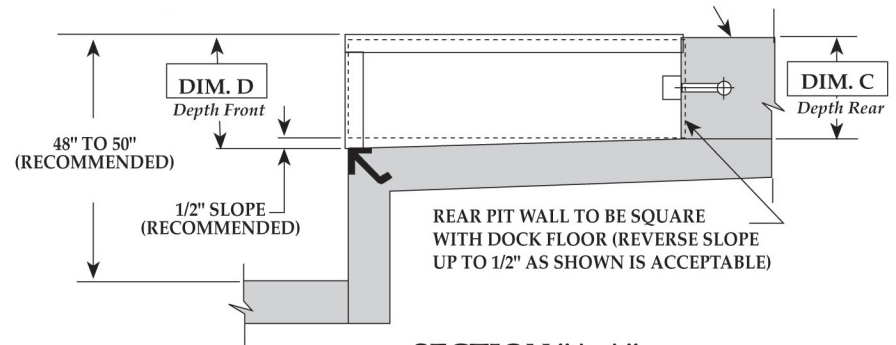
--	--	--	--	--

*NOTE 1

PLAN
MAT'L: A-36 C. STEEL



FRONT ELEVATION
MAT'L: A-36 C.



SECTION "A-A"
MAT'L: A-36 C. STEEL

*NOTE 1 : Angle 3"x3"x1/4"x20"
Minimum Length or Run
Continuous Pit to Pit.
(Supplied By Others)

DRAWN :	SCALE: AS NOTED	DATE: 1/30/95	DRAWING NUMBER:
---------	-----------------	---------------	-----------------

TOLERANCES		
Inch Dimension = 1/16"	Decimal Dimension = .005	Angles = 1



PO Box 338 • Spring Hill, Tennessee 37174
931.486.2296 • 800.251.3382 • Fax: 931.486.0316
www.pioneerleveler.com

JOB

Pioneer reserves the right to make product improvement at any time without prior notice.