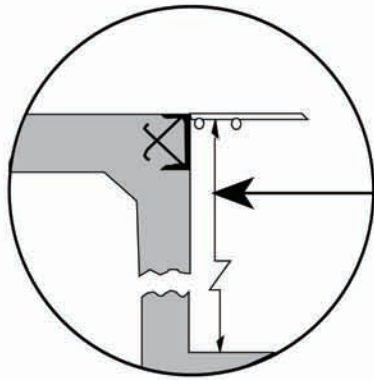
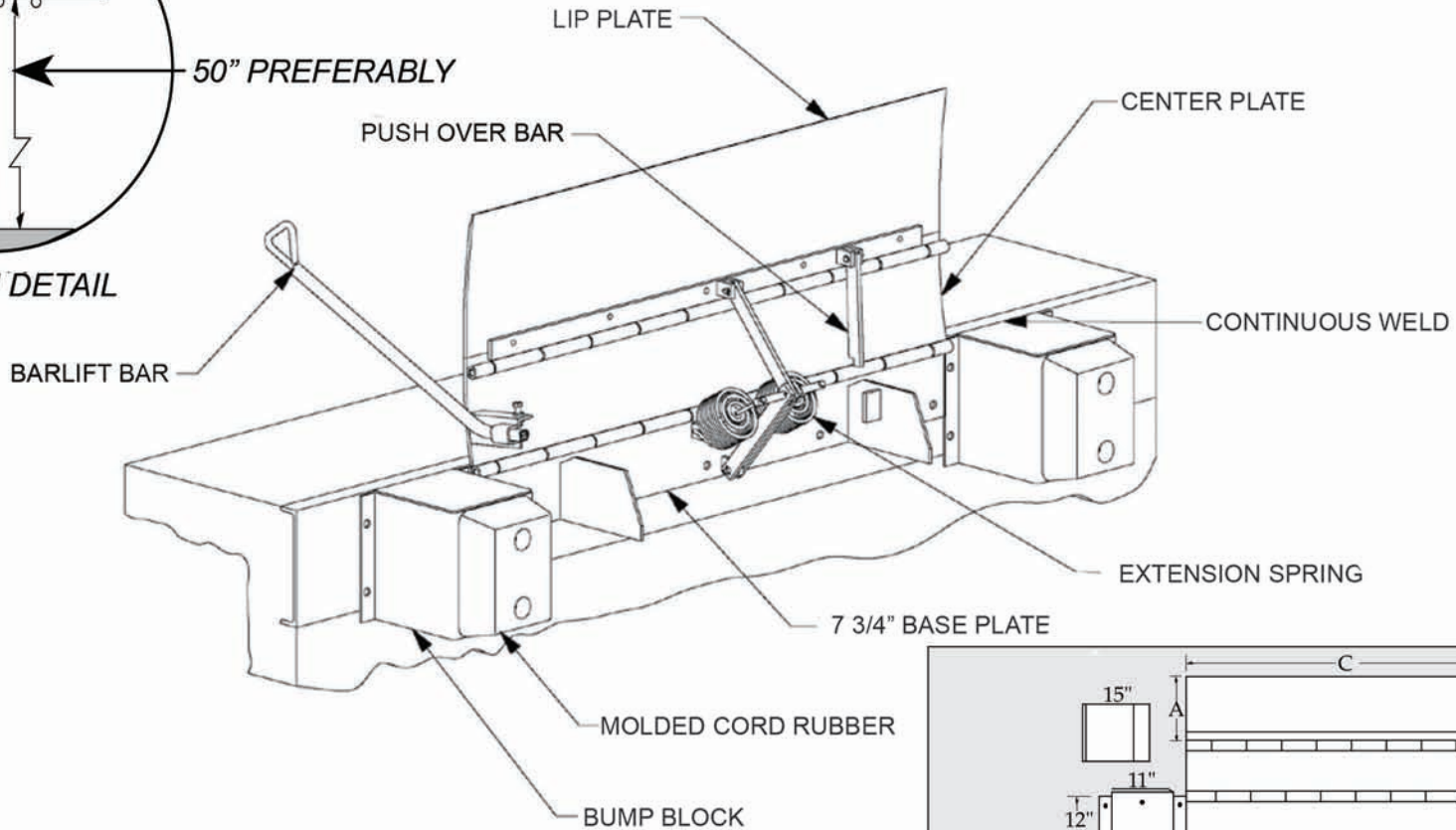


BLE Submittal Drawing



SECTION DETAIL



Notes: Deck & Lip - 55,000 min. yield steel

	A	B	C	D	E	F
	Lip	Span	Deck	Overall	Rated	Plate
Model	Length	Span	Width	Width	Capacity Lbs.	Thickness
BLE6620	15"	27 3/4"	66"	96"	20,000	3/8"
BLE6625	15"	27 3/4"	66"	96"	25,000	7/16"
BLE6630	15"	27 3/4"	66"	96"	30,000	7/16"
BLE7220	15"	27 3/4"	72"	102"	20,000	3/8"

SPECIFY JOB REQUIREMENTS FROM CHART

--	--	--	--	--	--	--



PO Box 338 • Spring Hill, Tennessee 37174
 931.486.2296 • 800.251.3382 • Fax: 931.486.0316
www.pioneerleveler.com

JOB

Pioneer reserves the right to make product improvement at any time without prior notice.