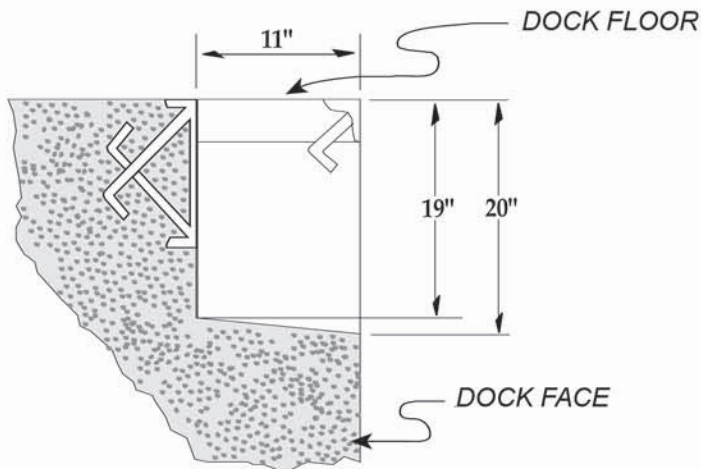
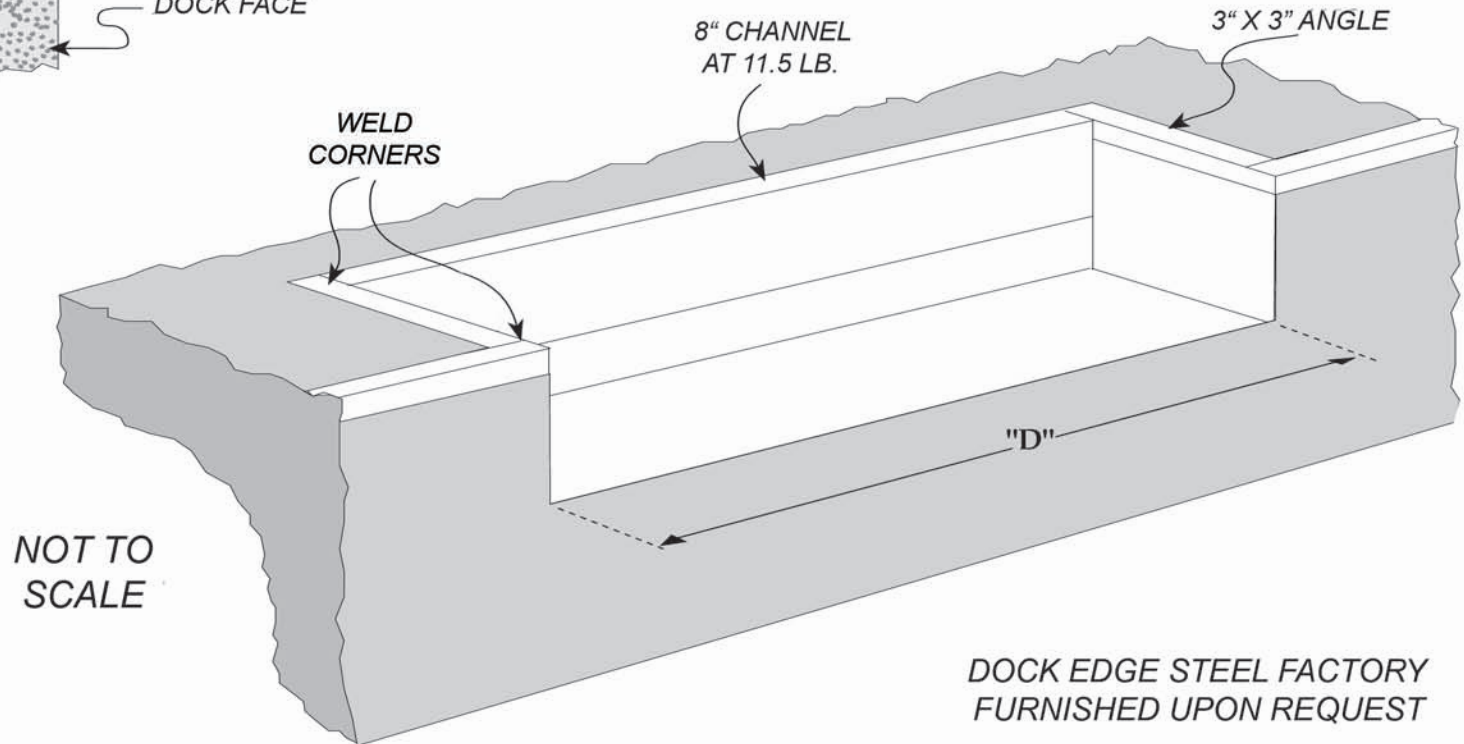


# Recessed Hydraulic Edge of Dock Submittal



<b>MODEL HED66: D = 70"</b>
<b>MODEL HED72: D = 76"</b>
<b>MODEL HED78: D = 82"</b>
<b>MODEL HED84: D = 88"</b>
<i>UNITS FURNISHED WITH 2 EA. LAMINATED BUMBERS</i>



DOCK EDGE STEEL FACTORY  
FURNISHED UPON REQUEST



PO Box 338 • Spring Hill, Tennessee 37174  
931.486.2296 • 800.251.3382 • Fax: 931.486.0316  
www.pioneerleveler.com

**JOB**

Pioneer reserves the right to make product improvement at any time without prior notice.