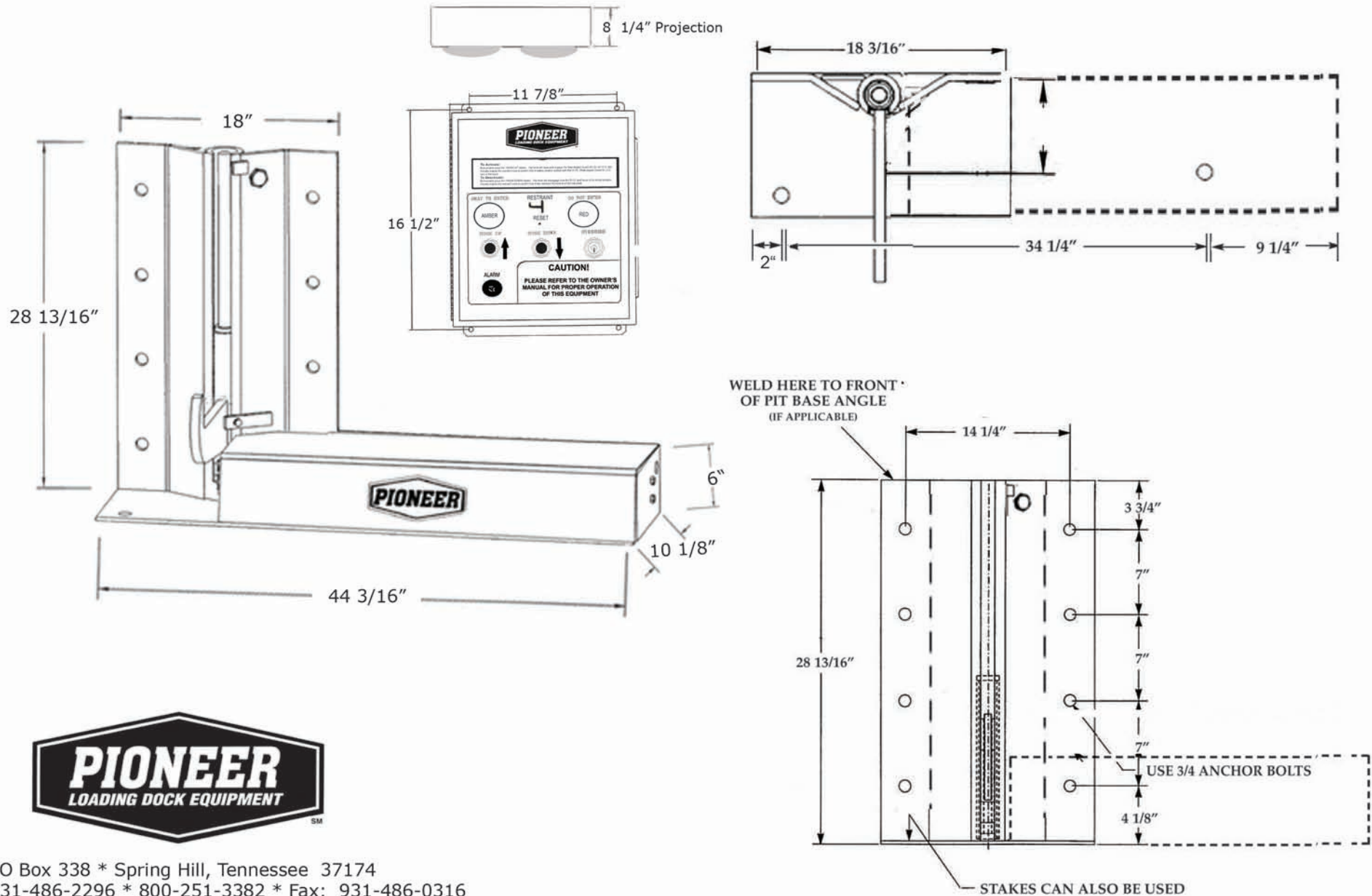


"EVR650" Series Electrical Truck Restraint Detail



PO Box 338 * Spring Hill, Tennessee 37174
 931-486-2296 * 800-251-3382 * Fax: 931-486-0316
www.pioneerleveler.com

"EVR650" Series Electrical Truck Restraint Submittal Drawing

09/09

STANDARD FEATURES

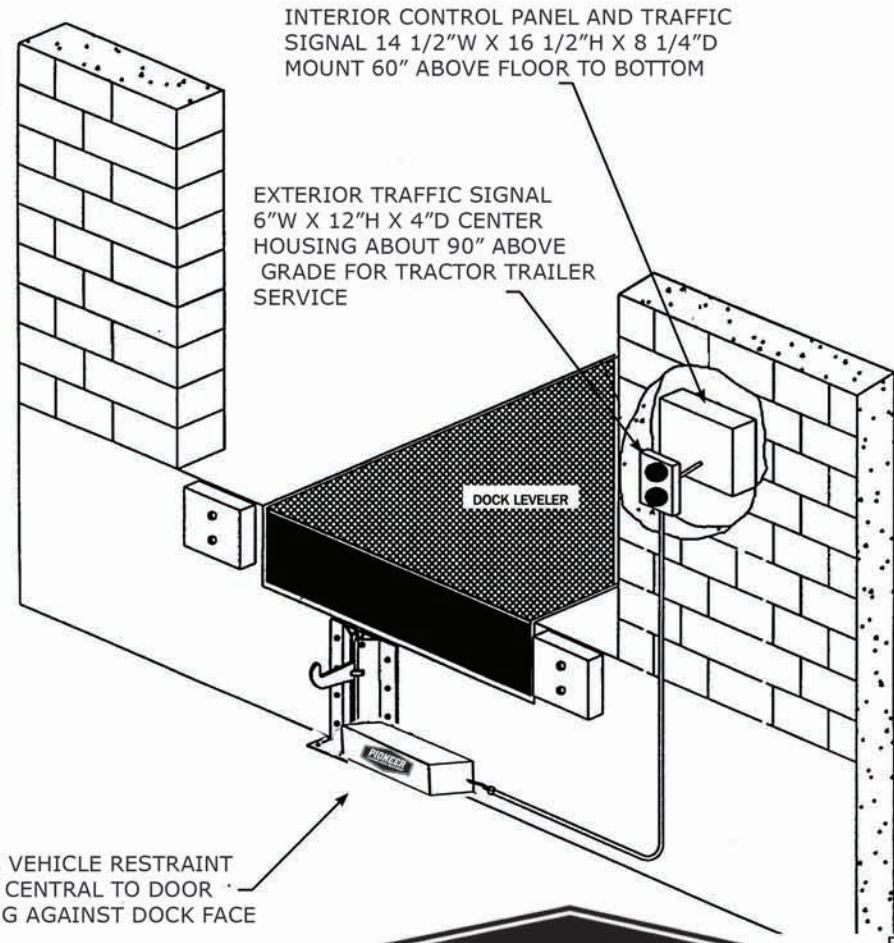
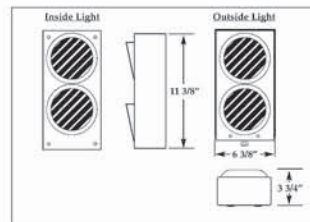
- ✓ Automatic unit provides in excess of 50,000 lbs. restraining force
- ✓ Wide 12" - 30" operating range
- ✓ Captures and holds all legal ICC bars
- ✓ Non-impact operation - designed to meet 1998 ICC regulations
- ✓ Positive contact hook automatically floats up or down with trailer
- ✓ Automatic inside/outside light system
- ✓ Complete inside/outside sign package included
- ✓ Bolt hole pattern designed for optional holding force
- ✓ Low maintenance
- ✓ Approximately one (1) hour installation time

(Not including electrical wiring).

OPTIONAL FEATURES

- Steel mounting plate for new construction
- Steel blockouts for bumper projections greater than 4" including edge-of-dock levelers
- Template for pre-mounting attachment bolts

INSIDE/OUTSIDE TRAFFIC DOCK LIGHT PACKAGE WARNING SIGNS



PO Box 338 * Spring Hill, Tennessee 37174
 931-486-2296 * 800-251-3382 * Fax: 931-486-0316
www.pioneerleveler.com