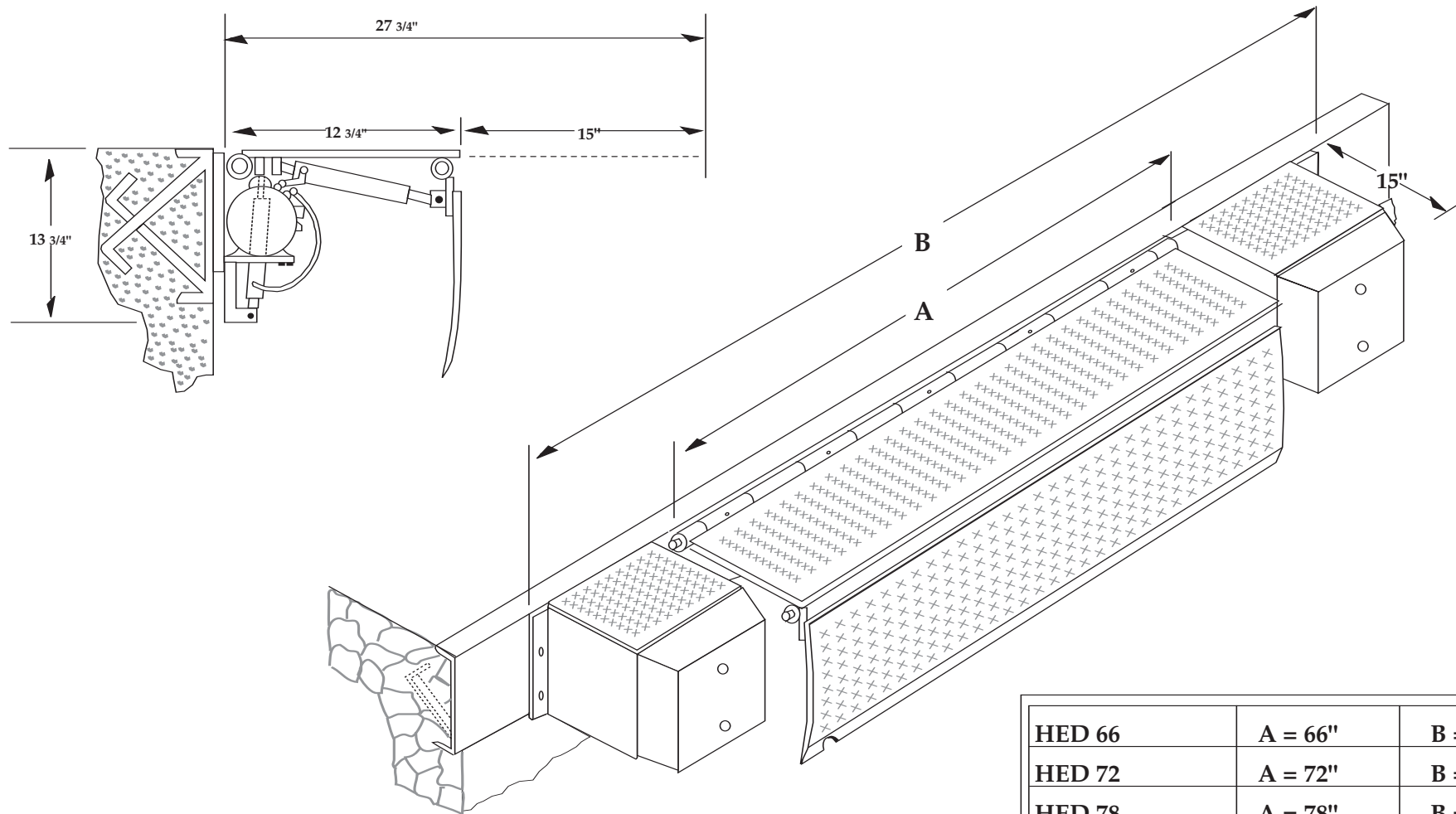


# Hydraulic Edge of Dock Submittal Drawing

7/06



HED 66	A = 66"	B = 96"
HED 72	A = 72"	B = 102"
HED 78	A = 78"	B = 108"
HED 84	A = 84"	B = 114"
1/2 Hp. 1 ph. Std.	(3 ph. Opt.)	
20, 25, and 30,000 lb capacities available		



P.O. Box 338 • Spring Hill, Tennessee 37174  
 931/486-2296 • 800/251-3382 • Fax: 931/486-0316  
[www.pioneerleveler.com](http://www.pioneerleveler.com)

JOB