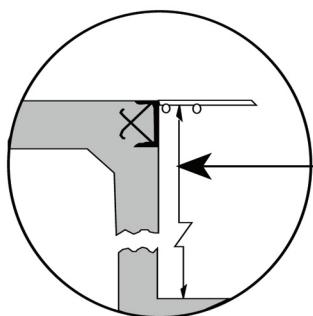


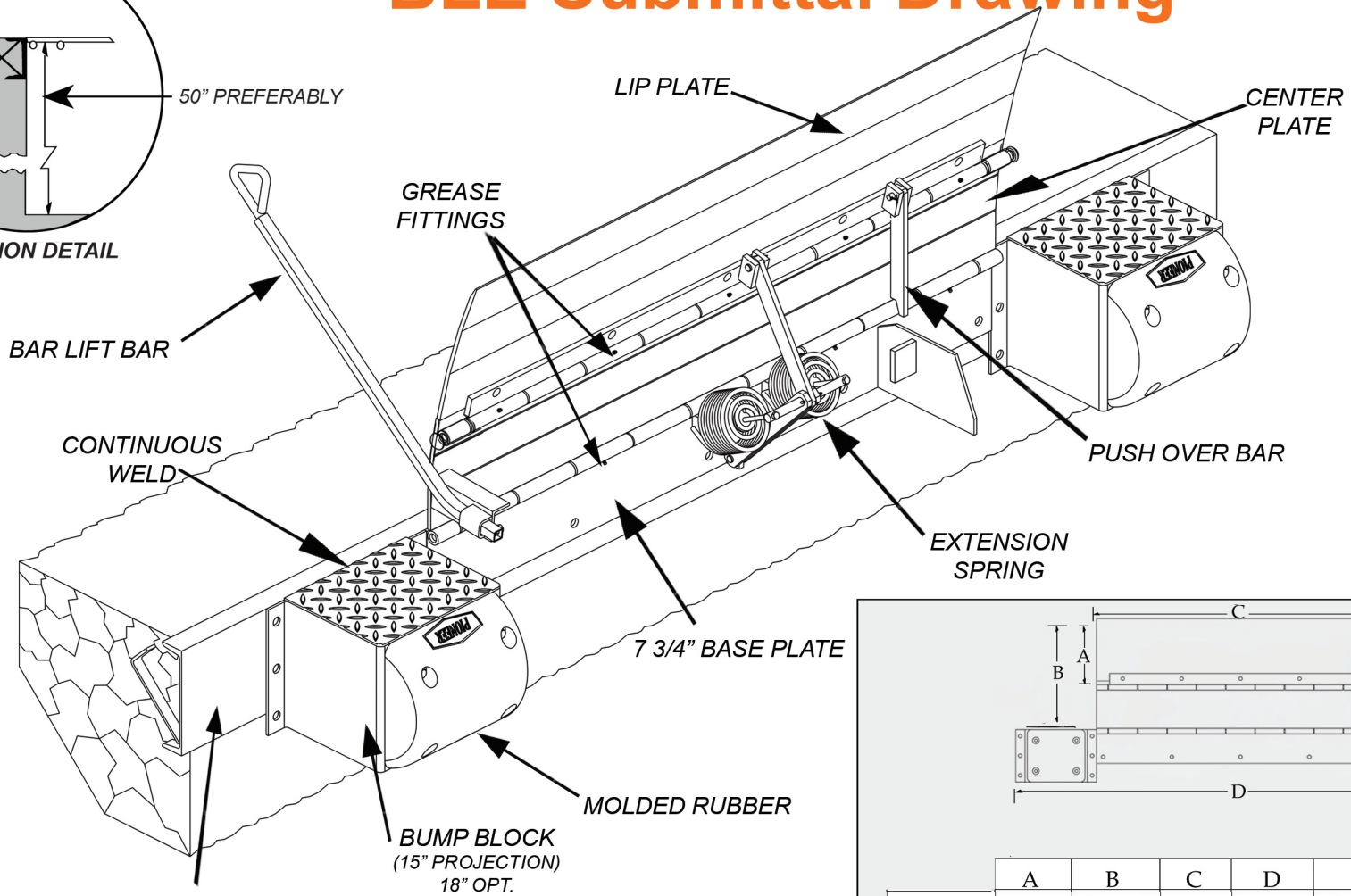
# BLE Submittal Drawing

03/26



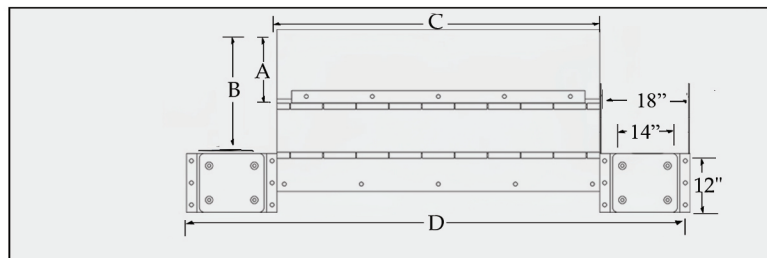
50° PREFERABLY

SECTION DETAIL



8" OR WIDER DOCK  
STEEL-SECURELY  
ANCHORED

NOTES: Deck & Lip - 55,000 lb. min. yield steel.



	A	B	C	D	E	F
Model	Lip Length	Overall Span	Deck Width	Overall Width	Capacity Pounds	Plate Thickness
BLE6620	15"	27 3/4"	66"	104"	20,000	3/8"
BLE6625	15"	27 3/4"	66"	104"	25,000	7/16"
BLE6630	15"	27 3/4"	66"	104"	30,000	7/16"
BLE7220	15"	27 3/4"	72"	110"	20,000	3/8"



PO Box 338 • Spring Hill, Tennessee 37174  
931.486.2296 • 800.251.3382 • Fax: 931.486.0316  
www.pioneerleveler.com

**JOB**

Pioneer reserves the right to make product improvement at any time without prior notice.