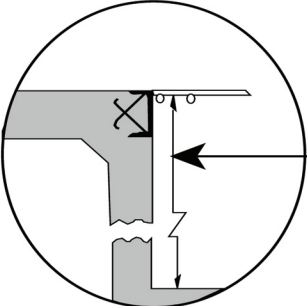


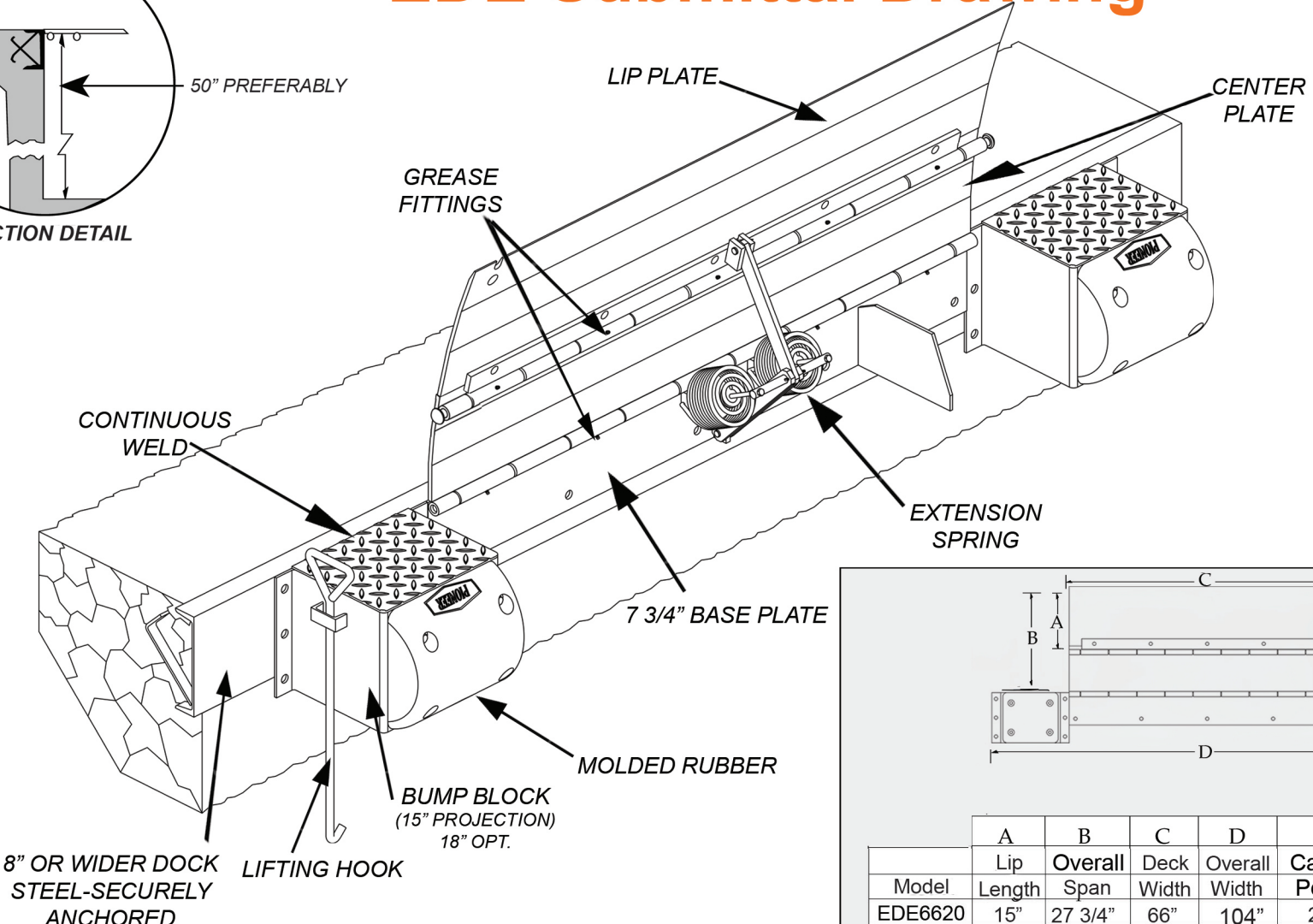
EDE Submittal Drawing

03/26



SECTION DETAIL

50° PREFERABLY



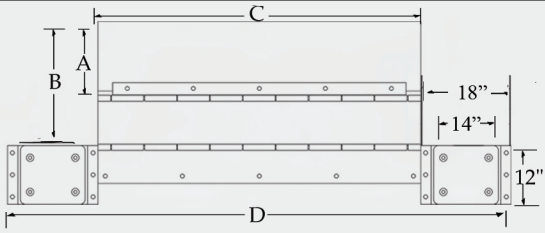
8" OR WIDER DOCK
STEEL-SECURELY
ANCHORED

LIFTING HOOK

BUMP BLOCK
(15" PROJECTION)
18" OPT.

MOLDED RUBBER

NOTES: Deck & Lip - 55,000 lb. min. yield steel.



	A	B	C	D	E	F
Model	Lip Length	Overall Span	Deck Width	Overall Width	Capacity Pounds	Plate Thickness
EDE6620	15"	27 3/4"	66"	104"	20,000	3/8"
EDE6625	15"	27 3/4"	66"	104"	25,000	7/16"
EDE7220	15"	27 3/4"	72"	110"	20,000	3/8"
EDE7225	15"	27 3/4"	72"	110"	25,000	7/16"



PO Box 338 • Spring Hill, Tennessee 37174
931.486.2296 • 800.251.3382 • Fax: 931.486.0316
www.pioneerleveler.com

JOB

Pioneer reserves the right to make product improvement at any time without prior notice.