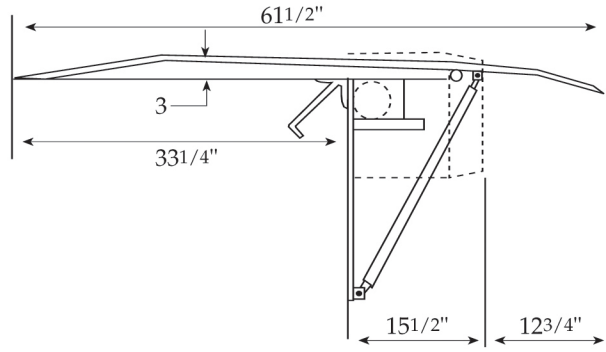
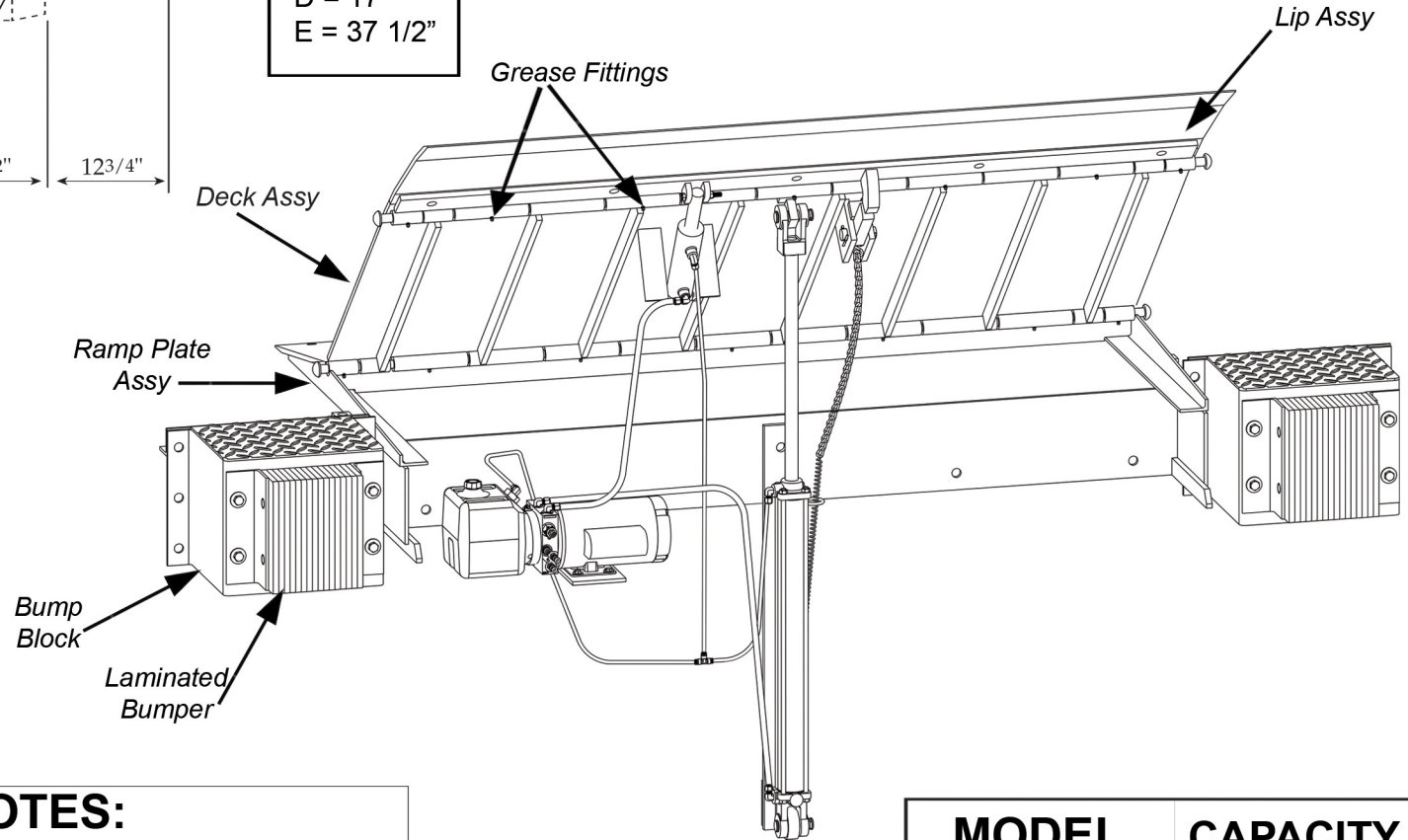


Hydraulic "Top of Dock" Submittal Drawing



- A = 72"
- B = 15"
- C = 28 1/4"
- D = 17"
- E = 37 1/2"



- OPTIONAL EQUIPMENT**
- 18" Vertical bump blocks for low dock heights
 - Single Phase, 230V
 - 3 Phase Motor
 - 230 Volt
 - 460 Volt
 - 17" Lip
 - 4" Underframe*
 - 6" Underframe*

*Underframe to be used on exceptionally low dock

NOTES:
Bolt-On Installation Requires 20 Anchors 5/8" x 5" Minimum

MODEL	CAPACITY
<input type="checkbox"/> HTD72H	25,000 lbs.



PO Box 338 • Spring Hill, Tennessee 37174
931.486.2296 • 800.251.3382 • Fax: 931.486.0316
www.pioneerleveler.com

JOB