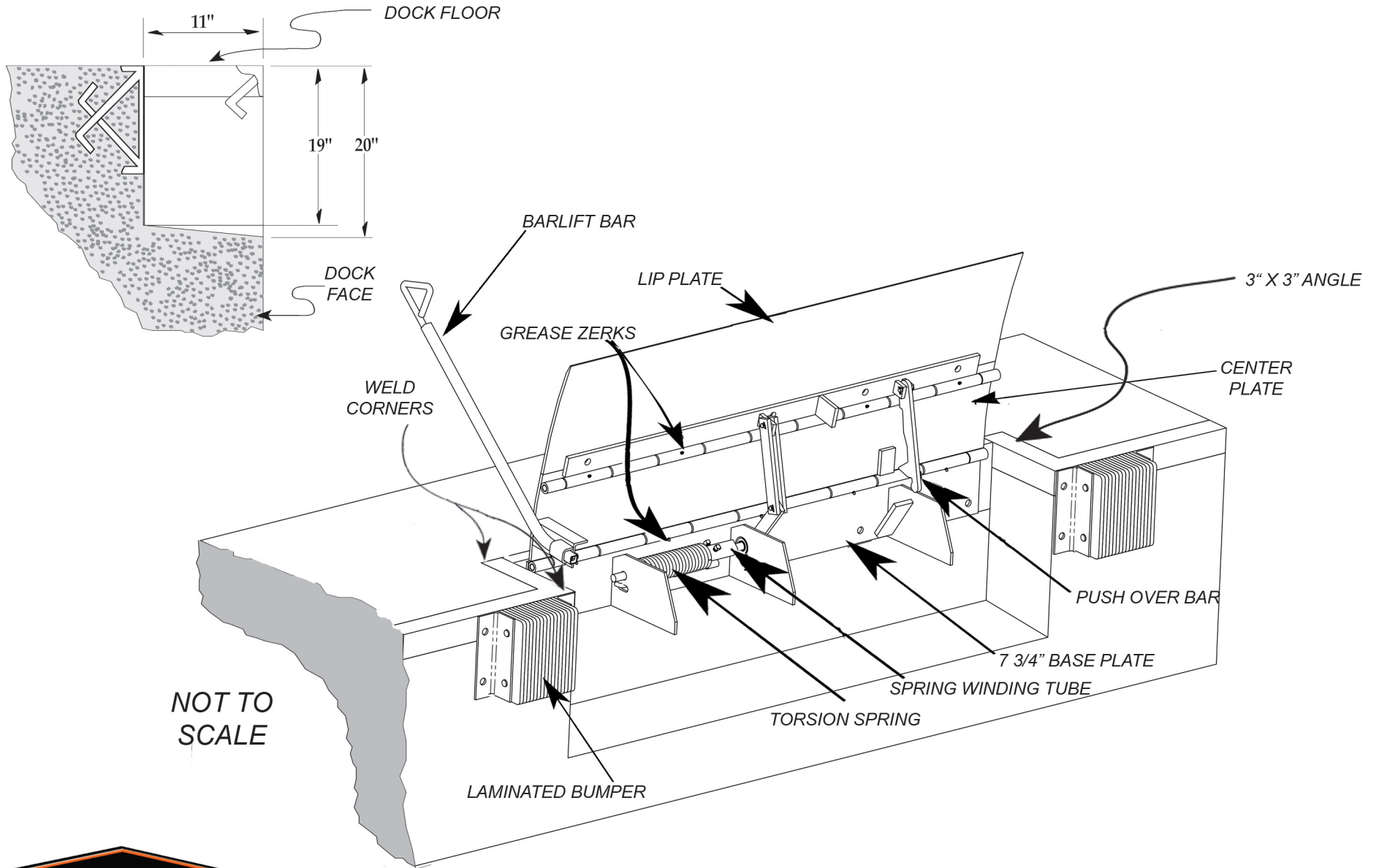


Recessed BarLift Submittal Drawing



NOT TO SCALE

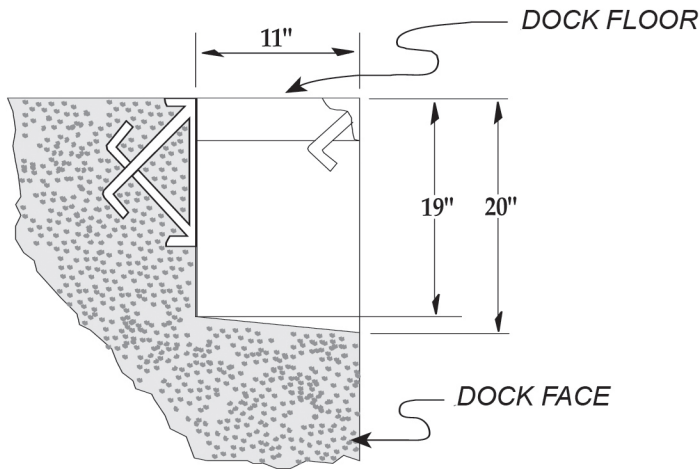


PO Box 338 • Spring Hill, Tennessee 37174
 931.486.2296 • 800.251.3382 • Fax: 931.486.0316
 www.pioneerleveler.com

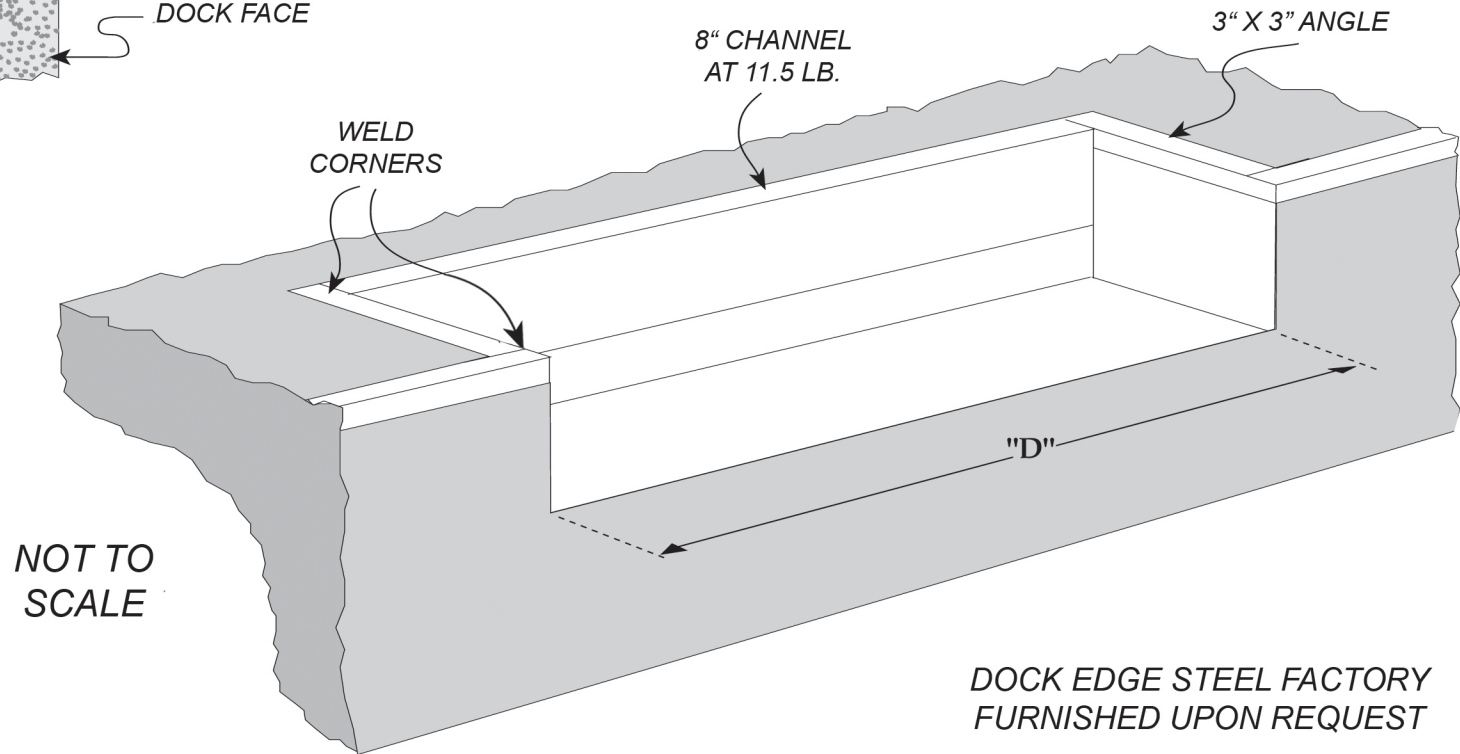
JOB

Pioneer reserves the right to make product improvement at any time without prior notice.

Recessed BarLift Submittal Drawing



MODEL BL66R: D = 70"
MODEL BL72R: D = 76"
MODEL BL78R: D = 82"
MODEL BL84R: D = 88"
<i>UNITS FURNISHED WITH 2 EA. LAMINATED BUMBERS</i>



NOT TO SCALE

DOCK EDGE STEEL FACTORY
FURNISHED UPON REQUEST



PO Box 338 • Spring Hill, Tennessee 37174
 931.486.2296 • 800.251.3382 • Fax: 931.486.0316
www.pioneerleveler.com

JOB

Pioneer reserves the right to make product improvement at any time without prior notice.