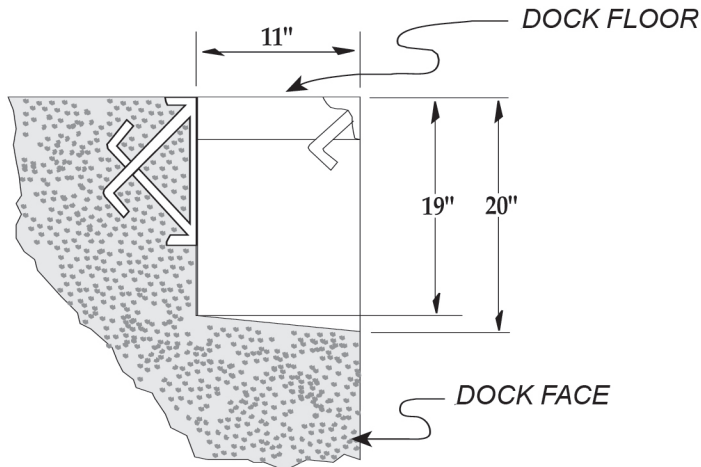
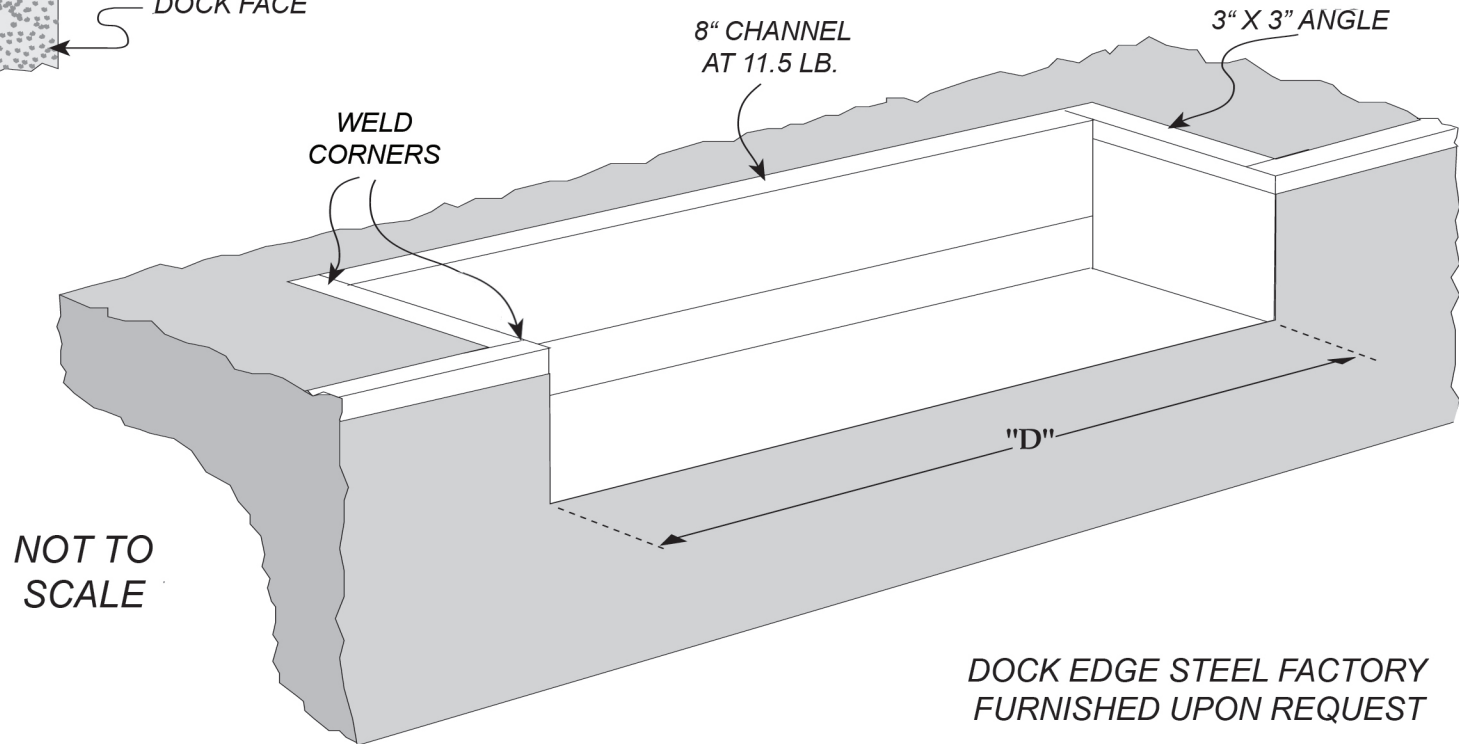


Recessed Hydraulic Edge of Dock Submittal



MODEL HED66: D = 70"
MODEL HED72: D = 76"
MODEL HED78: D = 82"
MODEL HED84: D = 88"
<i>UNITS FURNISHED WITH 2 EA. LAMINATED BUMPERS</i>



PO Box 338 • Spring Hill, Tennessee 37174
 931.486.2296 • 800.251.3382 • Fax: 931.486.0316
www.pioneerleveler.com

JOB

Pioneer reserves the right to make product improvement at any time without prior notice.