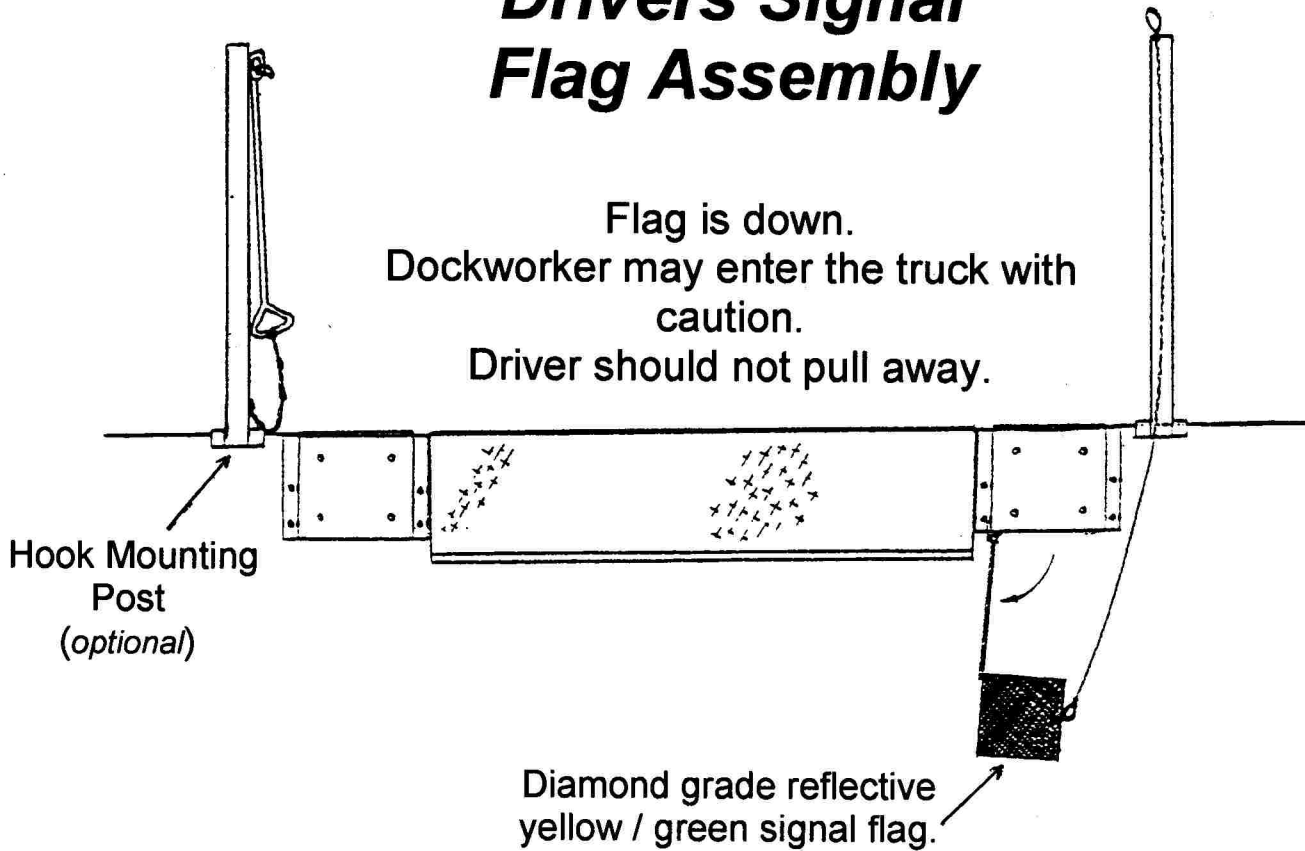




## Drivers Signal Flag Assembly

Flag is down.  
Dockworker may enter the truck with caution.  
Driver should not pull away.



Flag is raised.  
Dockworker is denied truck entry.  
Driver is free to pull away from the dock.

