

Guard Rails

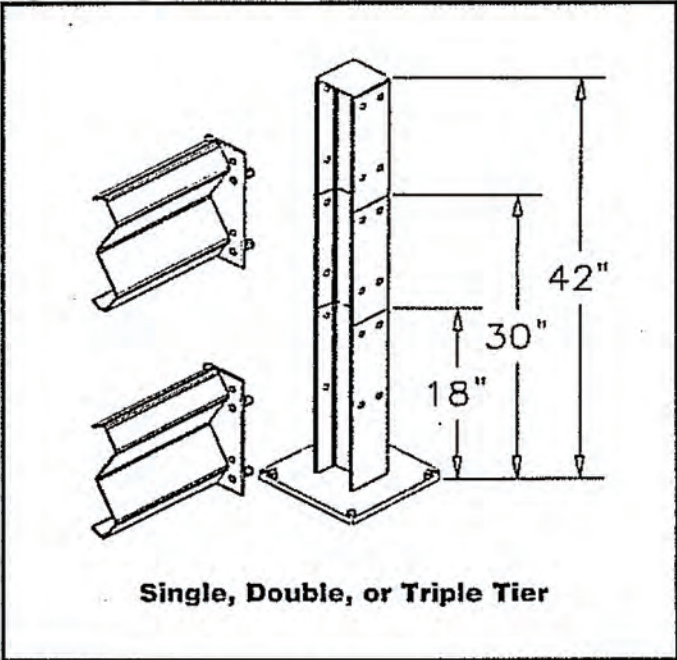
Provides the Ultimate in Protection for Valuable Equipment and Personnel



- 10,000 lb. Load at 4 m.p.h. Rating
- Easy to Install - Simple Layout with Universal Column
- 5/8" x 4.75" Anchors (Included)
1/2" Installation Hardware Included
- Protects Valuable Equipment and Personnel, Water Mains, Conveyors, and In-Plant Offices
- Powder Coat Safety Yellow Finish
- Available in 4' - 10' Lengths.
- Single Rail Columns 18" High, Double and Triple Columns 42" High
- Baseplates are 10" x 10"

GuardIt
Safety Products

Guard Rails



Rail Cross-Section	Base plate
<p>12"</p>	<p>10"</p>
<p>Rails: 10 ga. formed steel Base plates: 5/8" steel plate Columns: Structural steel beam 5/8" Wedge Anchors provided 1/2" Assembly Hardware provided</p>	

